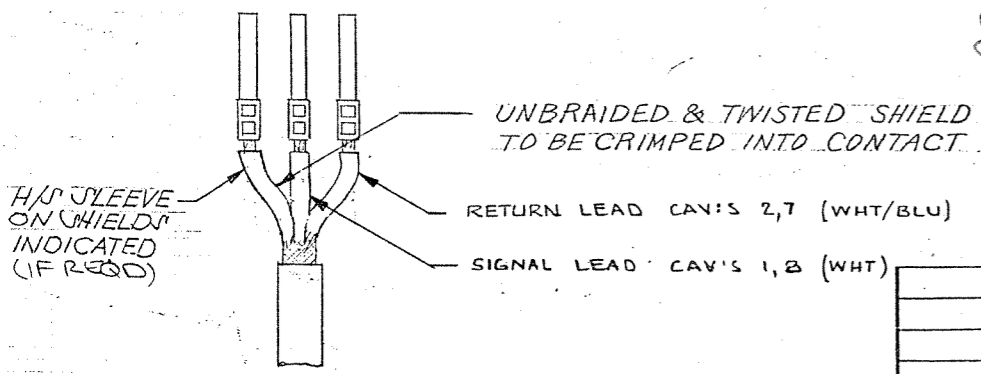
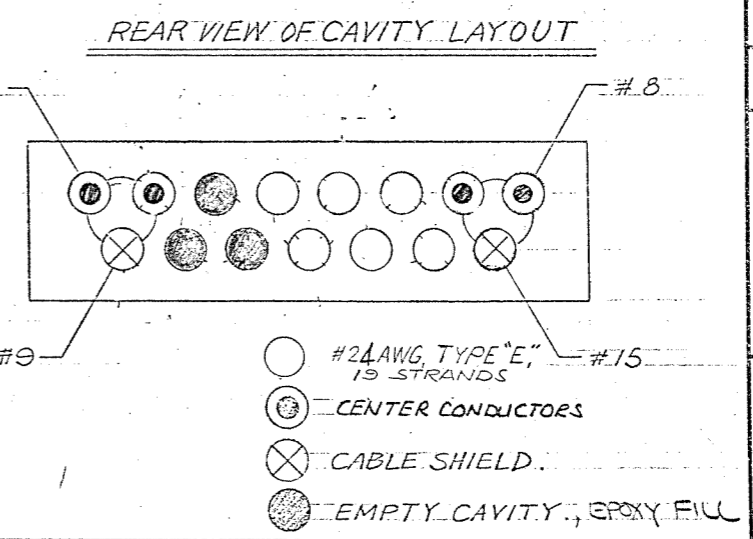
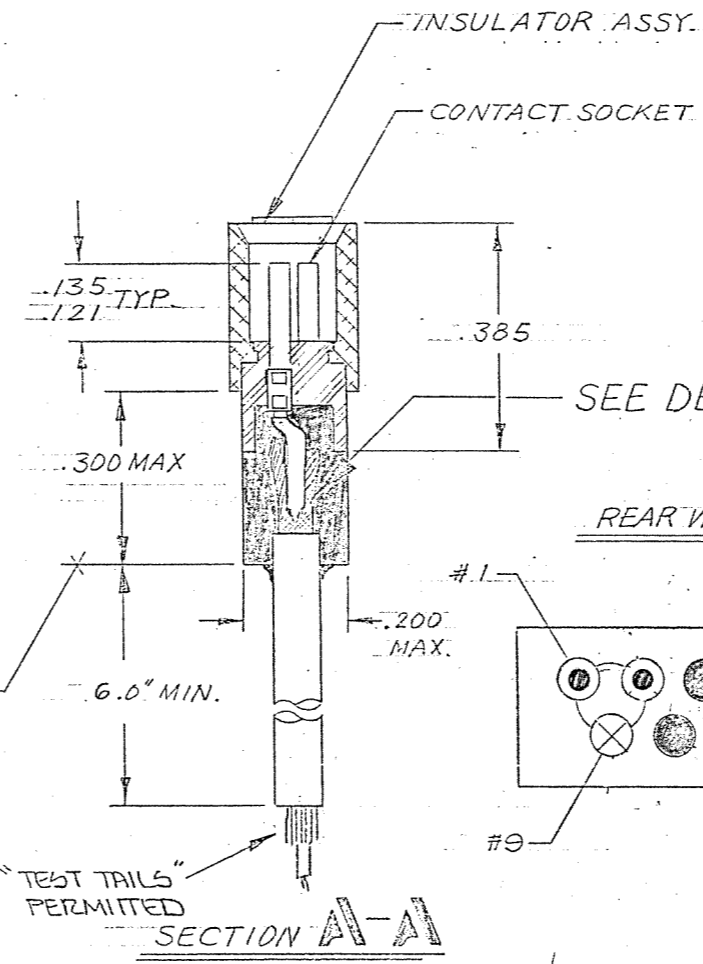
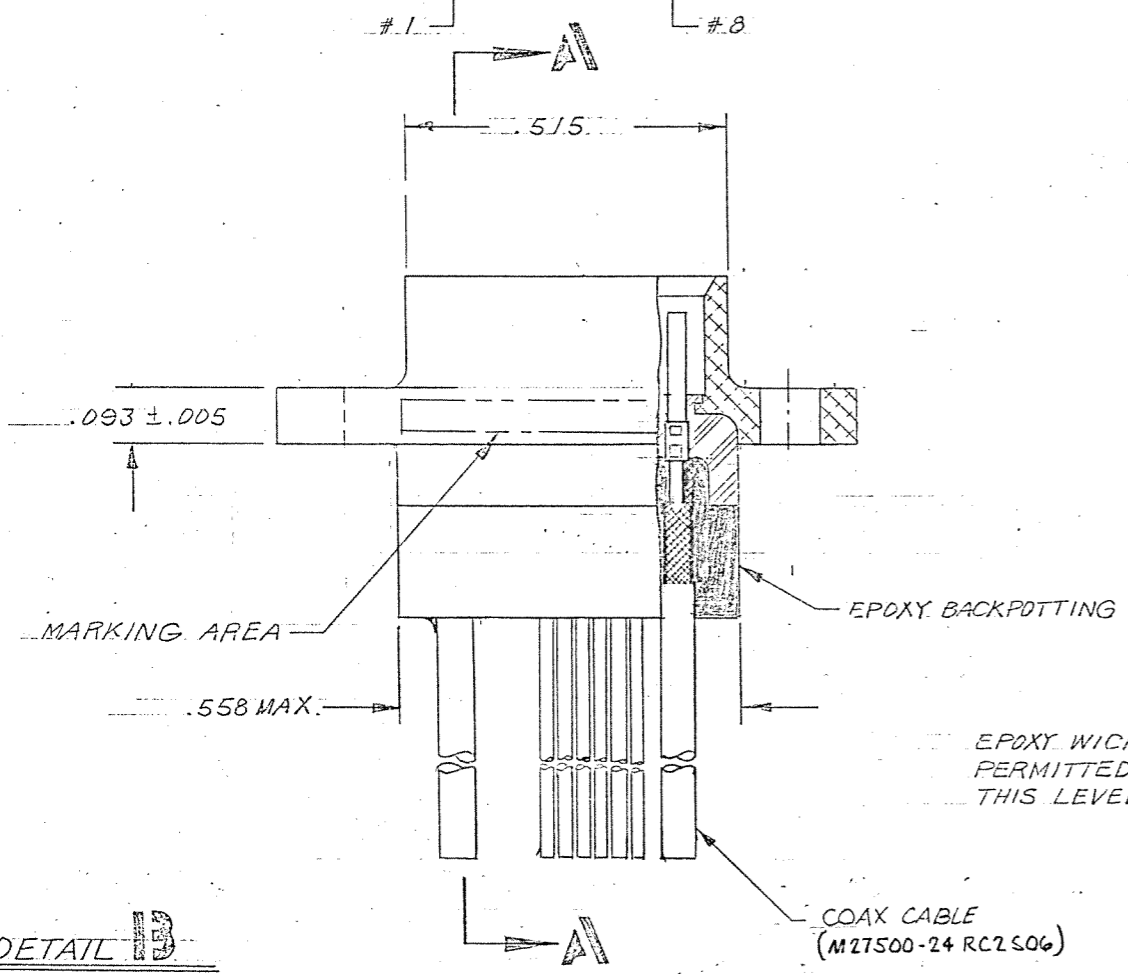
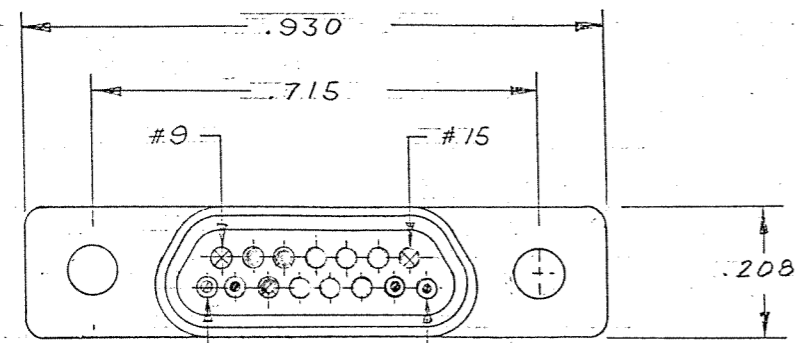


REVISIONS					
ZONE	LTR	ECN	DESCRIPTION	DATE	APPROVED
	A	52373	NEW RELEASE	8/28/89	
	AI	41881	UPDATE REV. LETTER	7/2/93	
	B	42223	UPDATE REV. LETTER	2/19/94	



8-1532144-7

QTY REQD	CODE IDENT	PART OR IDENTIFYING NO.	NOMENCLATURE OR DESCRIPTION
PARTS LIST			
UNLESS OTHERWISE SPECIFIED DIMENSIONS ARE IN INCHES TOLERANCES ARE:		CONTRACT NO.	
FRACTIONS	DECIMALS	ANGLES	
±	.XX ±	±	
	.XXX ±	.010	
MATERIAL		APPROVALS	DATE
		MCMPOS	7/13/89
		CHECKED	9-29-89
		PR. ENGR	M. SHIMAWA 9-29-89
		APPD.	
FINISH		MALCO A MICRODOT COMPANY, INC. 220 PASADENA AVE., SO. PASADENA, CALIF. 91030	
		METAL SHELL COMBOMATE	
		CONNECTOR	
		MCDM3-B-5X-6.0"	
NEXT ASSY		SIZE	PROD. CODE
USED ON		C	842
APPLICATION		CODE IDENT NO.	CODE
		98278	CDM
		DRAWING NO.	
		095-9286-3006	
DO NOT SCALE DRAWING		SCALE	SHEET 1 OF 1